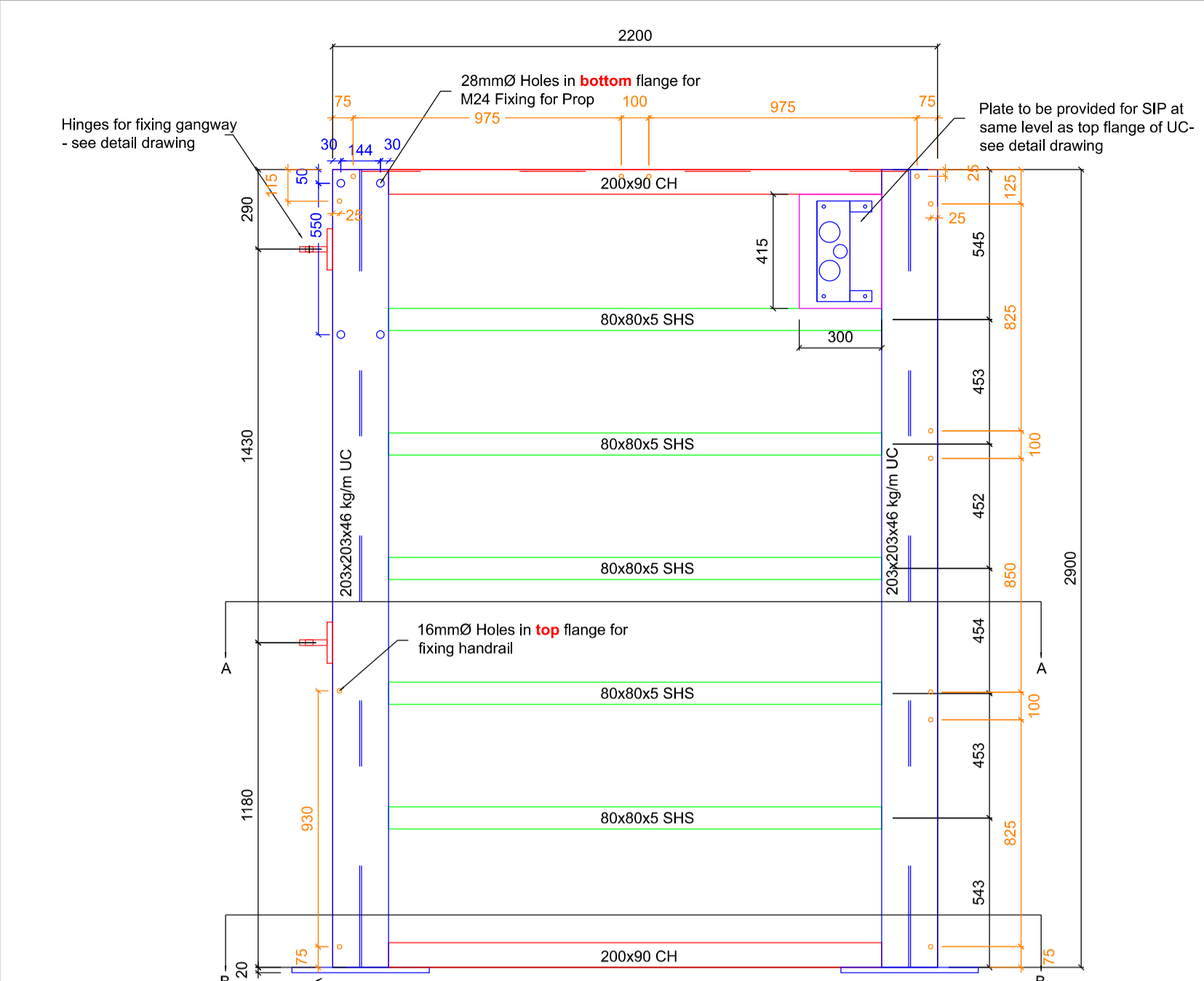
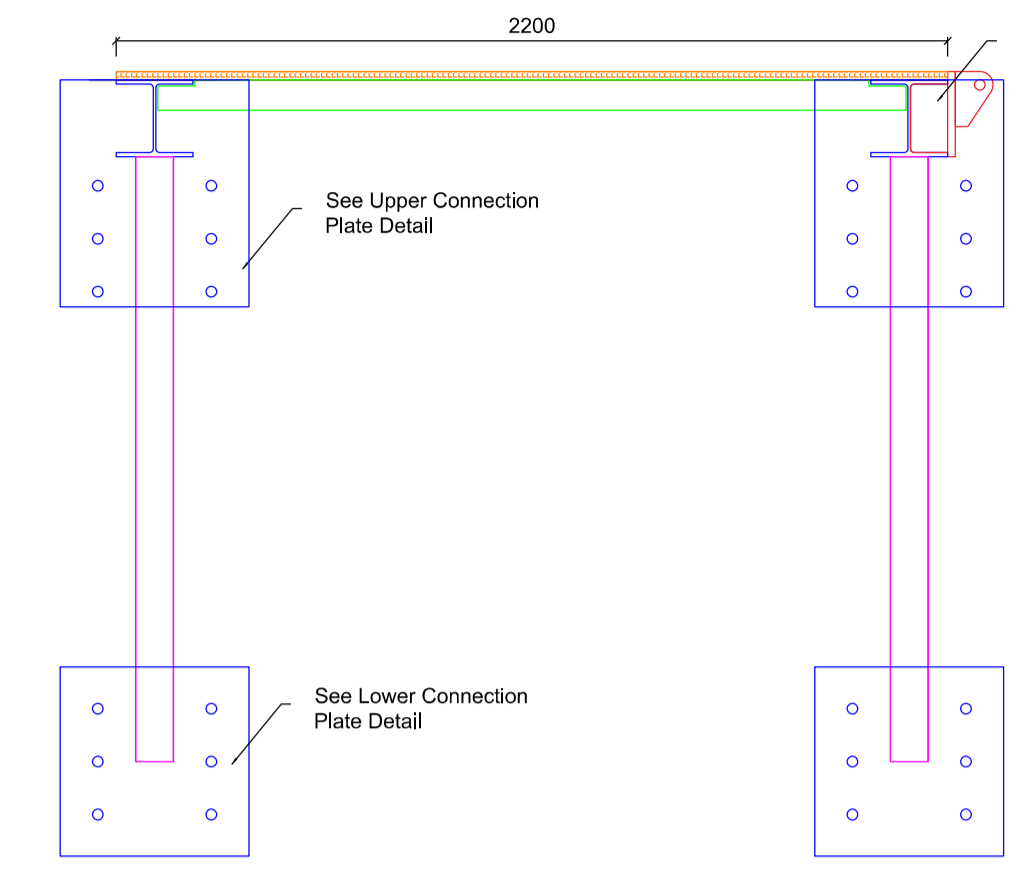


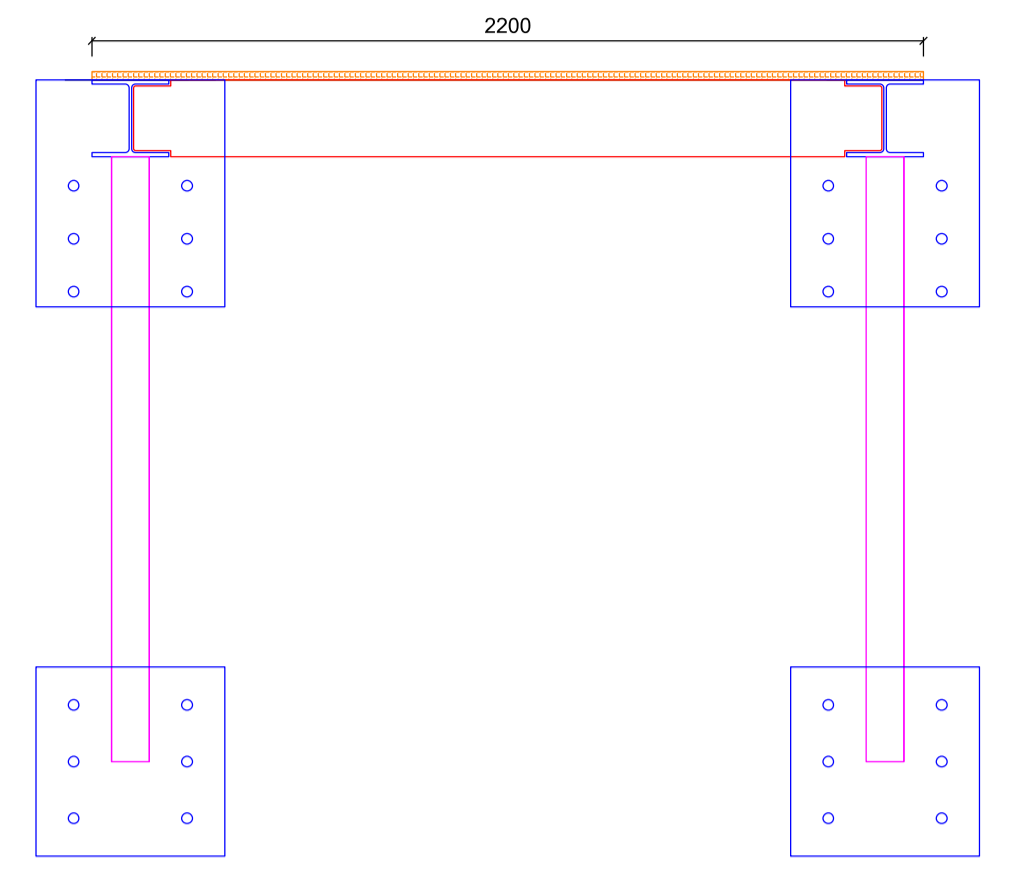
CANTILEVER & RAMP  
GENERAL ARRANGEMENT  
SCALE: 1:20 @ A1



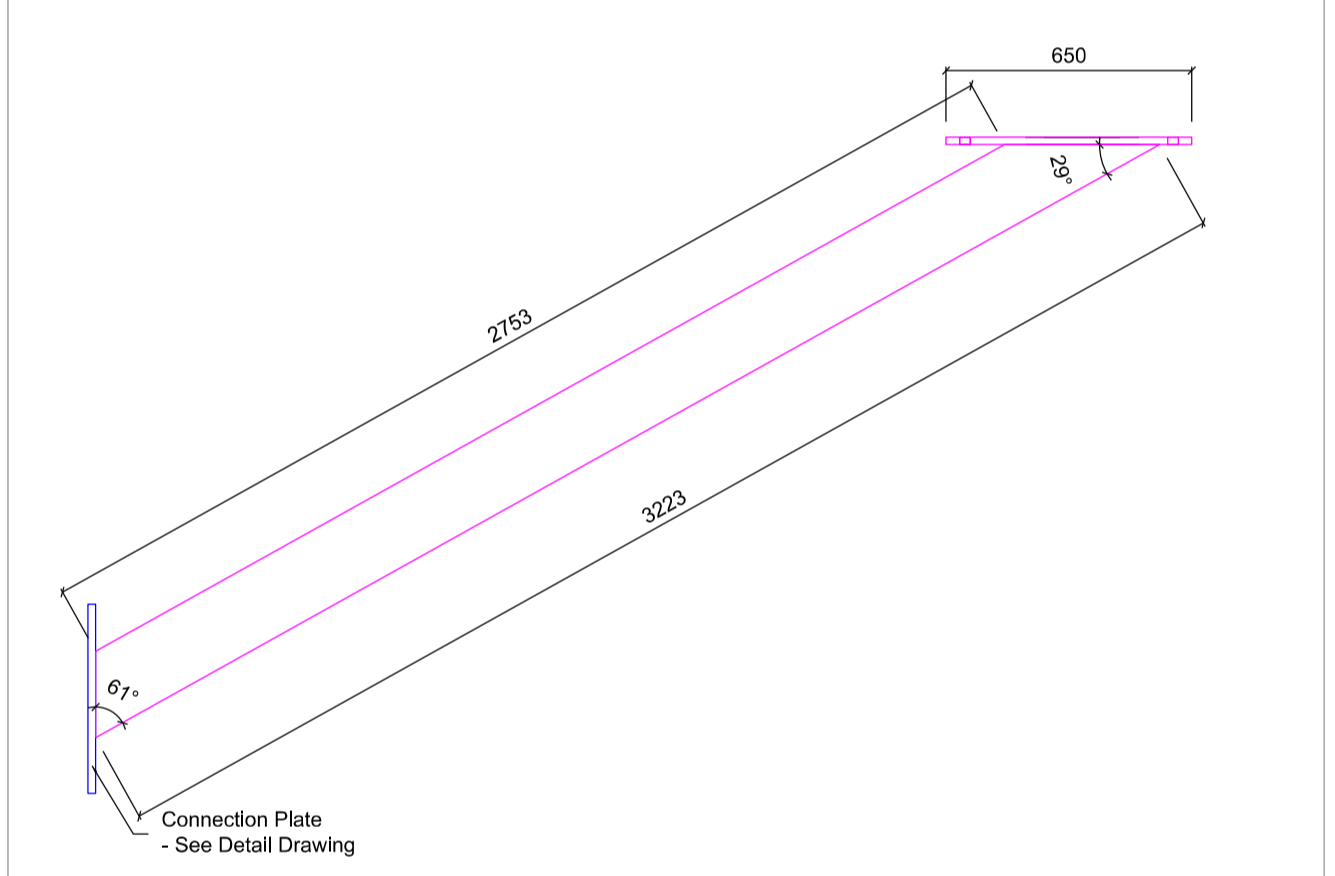
CANTILEVER  
PLAN  
SCALE: 1:20 @ A1



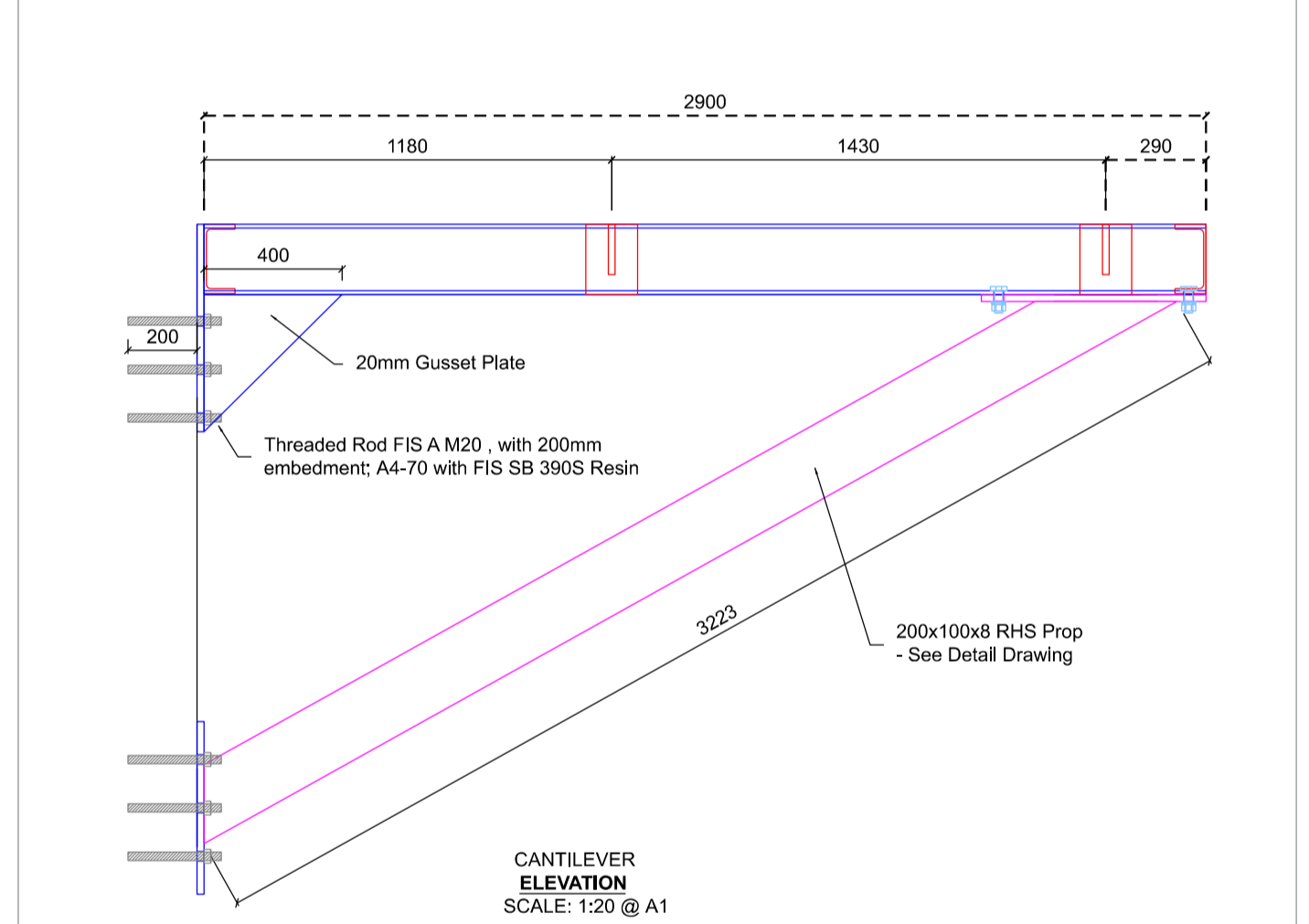
CANTILEVER  
SECTION A-A  
SCALE: 1:20 @ A1



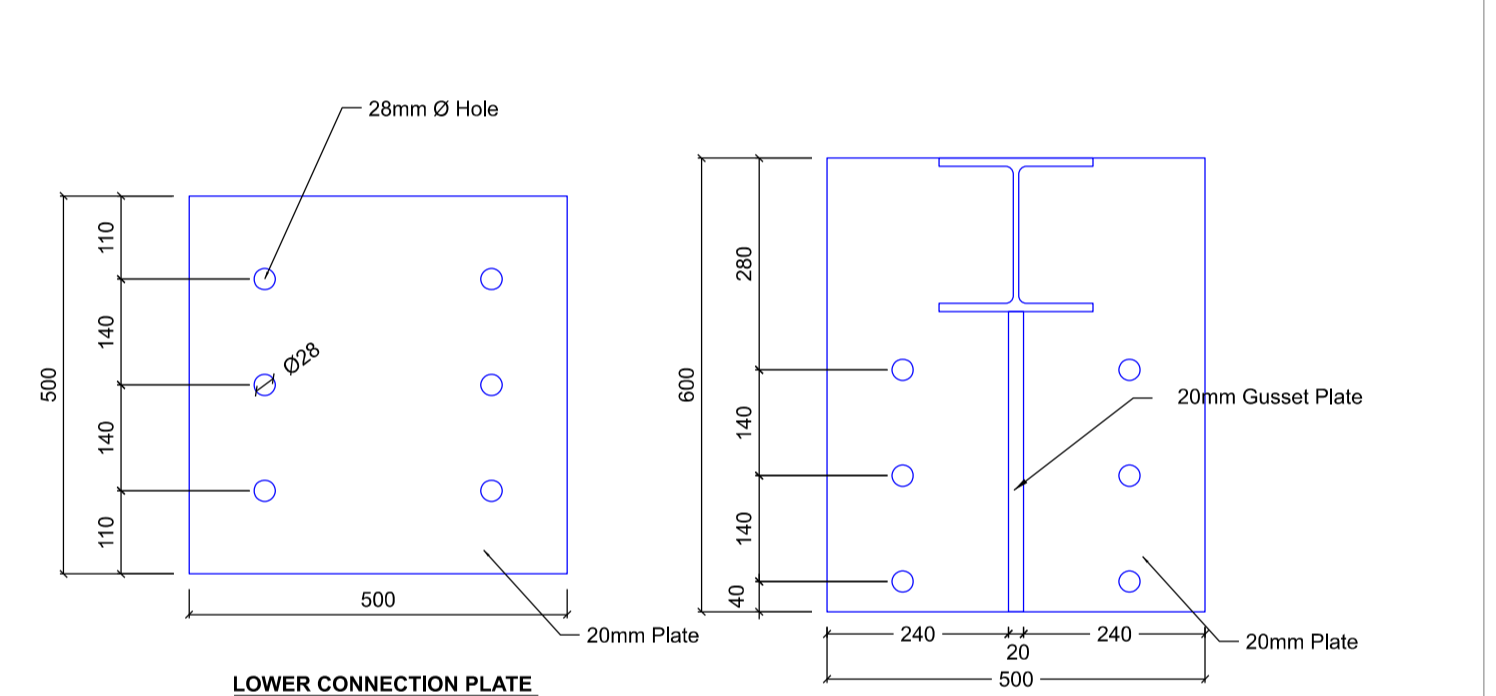
CANTILEVER  
SECTION B-B  
SCALE: 1:20 @ A1



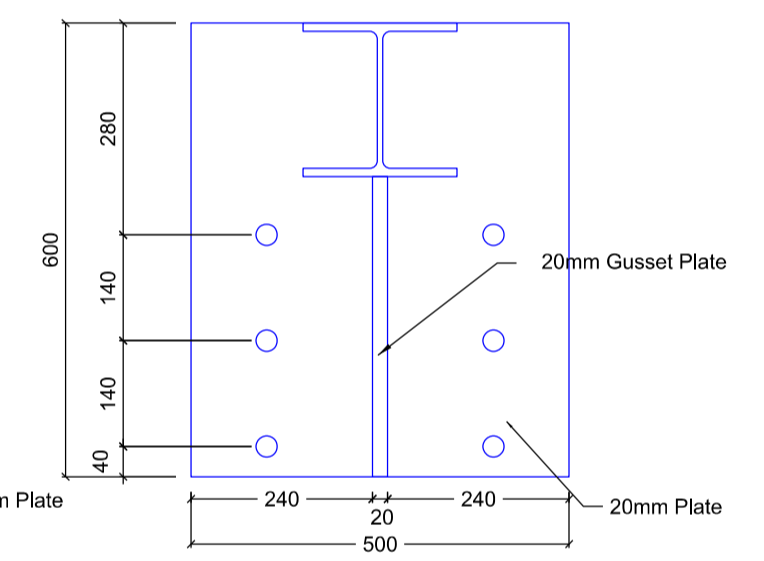
PROP DETAILS  
ELEVATION  
SCALE: 1:20 @ A1



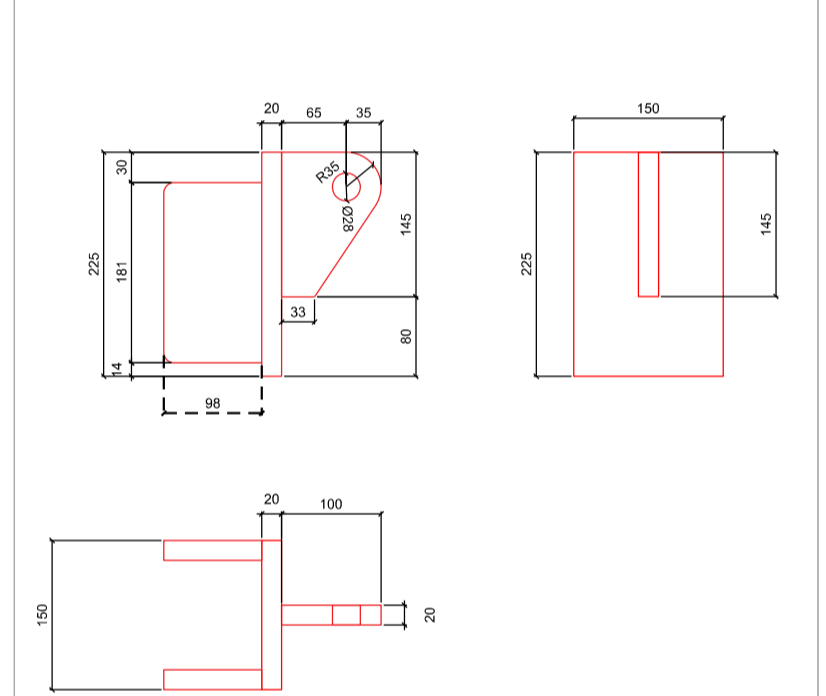
CANTILEVER  
ELEVATION  
SCALE: 1:20 @ A1



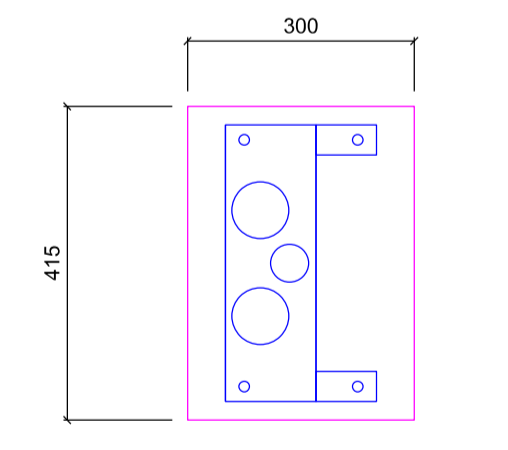
LOWER CONNECTION PLATE  
DETAILS  
SCALE 1:10@A1



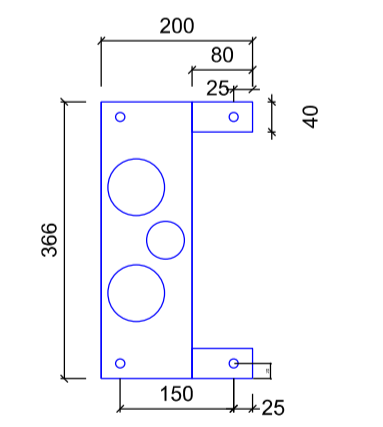
UPPER CONNECTION PLATE  
DETAILS  
SCALE 1:10@A1



HINGE DETAILS  
SCALE: 1:5 @ A1



SHORE ISOLATION PANEL & PLATE  
DETAILS  
SCALE 1:10@A1



SHORE ISOLATION PANEL  
DETAIL  
SCALE 1:10@A1

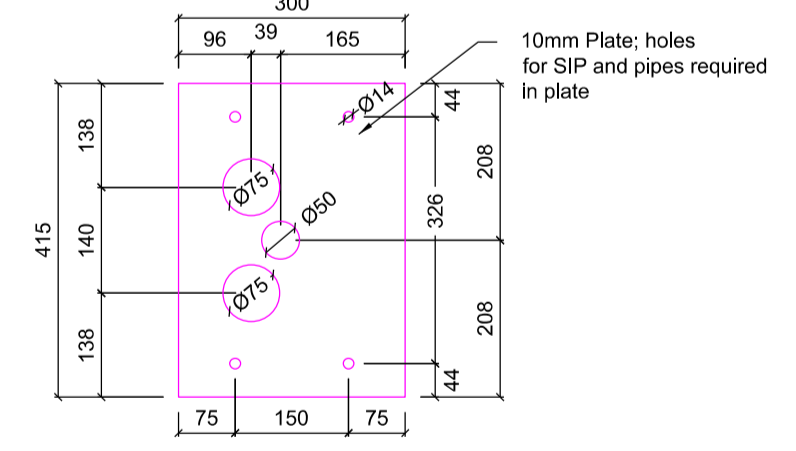


PLATE TO BE WELDED TO CANTILEVER  
DETAILS  
SCALE 1:10@A1

REV	COMMENTS	BY	DATE



DIRECTOR OF SERVICES  
PLANNING, DEVELOPMENT and ENVIRONMENT  
WICKLOW COUNTY COUNCIL

Part 8 Application

PROJECT  
Wicklow Harbour Pontoon

DRAWING TITLE  
Cantilever Platform  
DATE  
October 2019

DRAWING NUMBER 03/0365/16/04	SCALE As Shown	SHEET SIZE A1
---------------------------------	-------------------	------------------

DRAWN BY:	ENG. CHECK:	OP'S CHECK:	REVISION 0
-----------	-------------	-------------	---------------