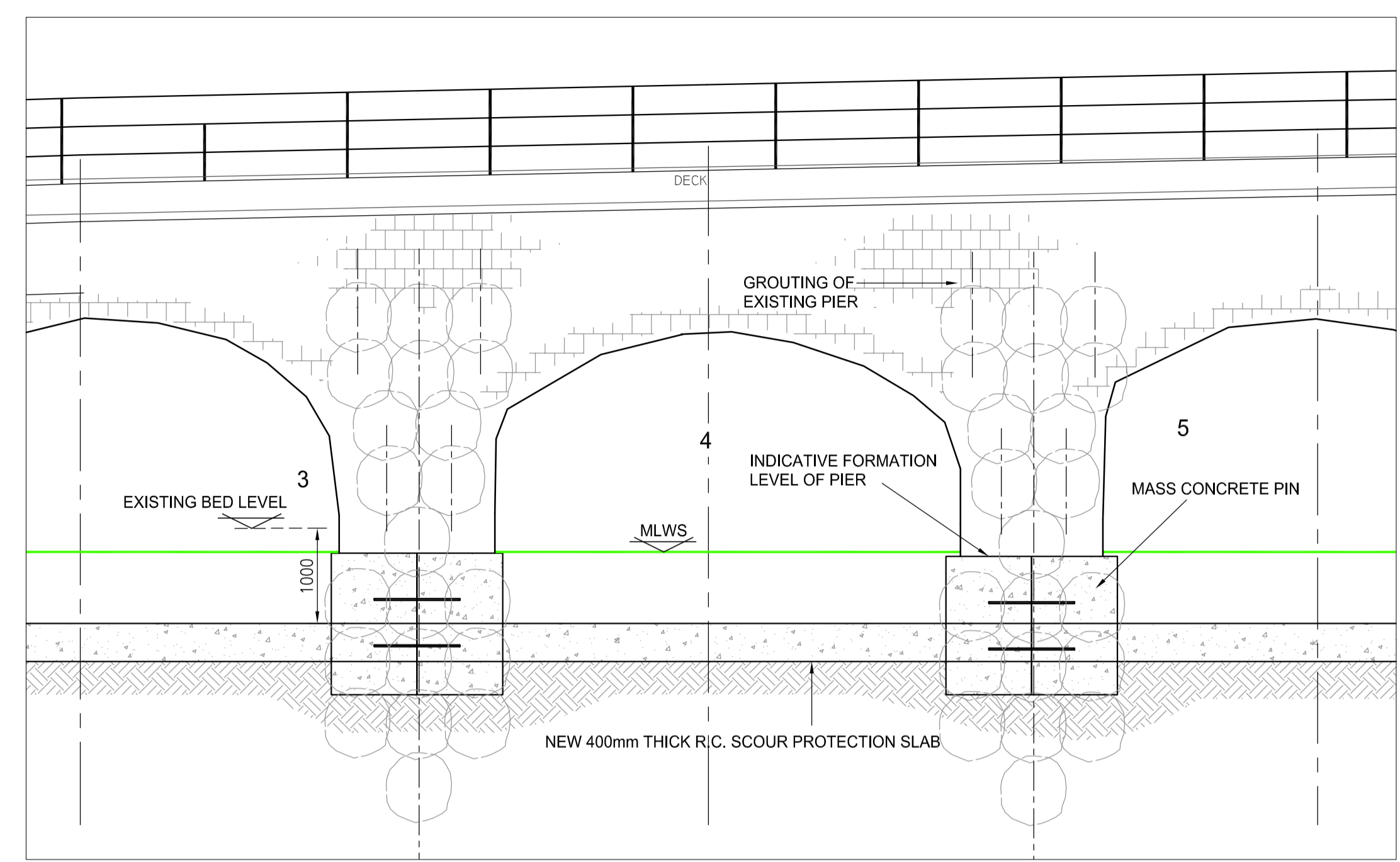
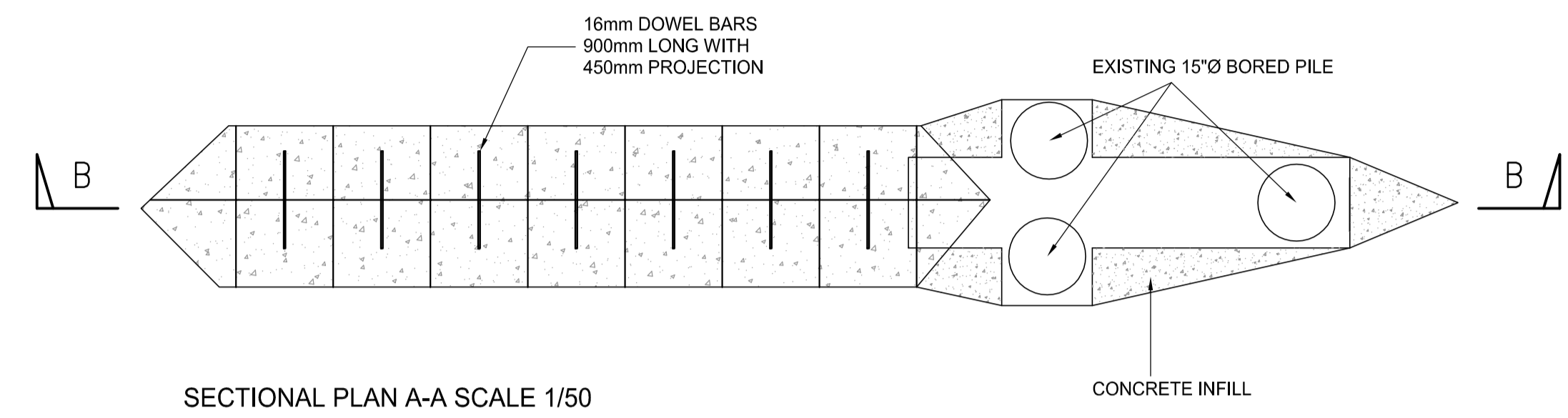


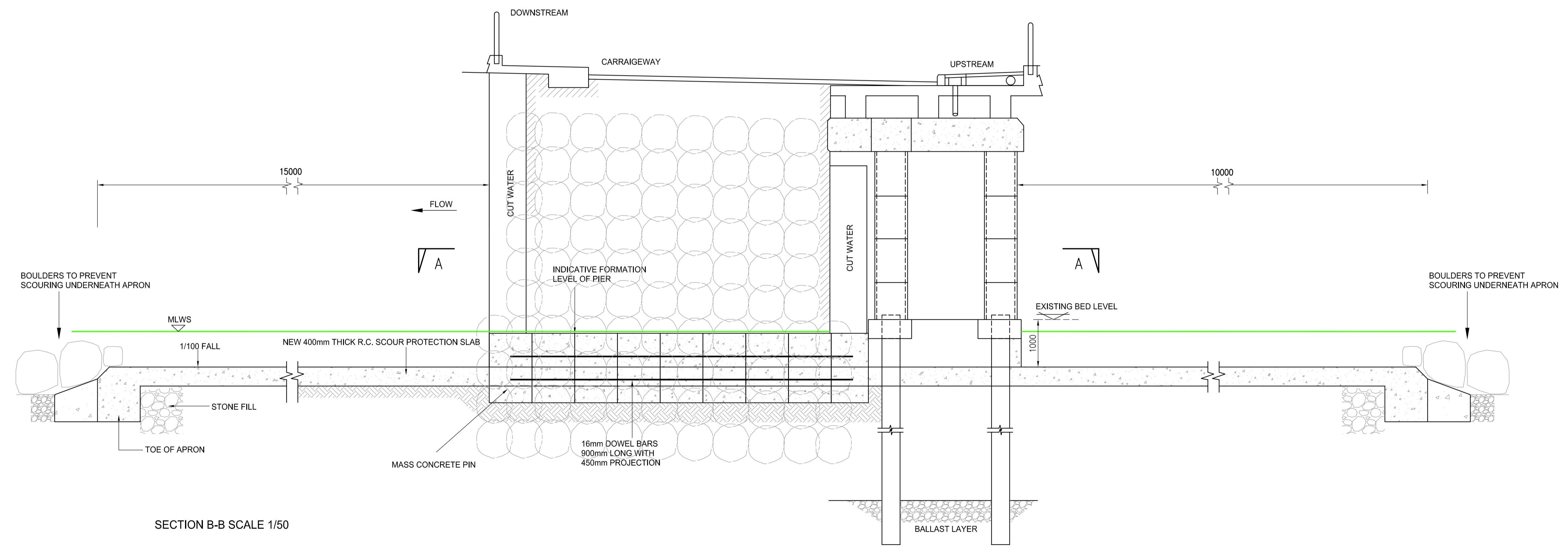
- NOTES:
- DO NOT SCALE OFF DRAWING
 - DRAWING TO BE READ IN CONJUNCTION WITH ALL OTHER DRAWINGS
 - DRAWING IS FOR INFORMATION PURPOSES ONLY, NOT FOR CONSTRUCTION



DOWNSTREAM ELEVATION SCALE 1/50



SECTIONAL PLAN A-A SCALE 1/50



SECTION B-B SCALE 1/50

PO	11.03.21	ISSUE FOR PLANNING	LT	KBS	KT
A1	06.06.18	ISSUE FOR APPROVAL	NM	KT	KT
Rev	Date	Description	By	Chk	App

BYRNE LOOBY

2100 Cork Airport Business Park, Kinsale Road, Cork
tel: +353 (0) 21 2407985
email: cork@ByrneLooby.com www.ByrneLooby.com

BAHRAIN • IRELAND • QATAR • SAUDI ARABIA • UAE • UK
CIVIL STRUCTURAL WATER & GEOTECHNICAL SPECIALISTS

CLIENT
WICKLOW COUNTY COUNCIL

PROJECT
ARKLOW FLOOD RELIEF SCHEME

DRAWING TITLE
ARKLOW BRIDGE
UNDERPINNING OPTION 1

STATUS
FOR PLANNING

Date:	31.05.18	Scale:	AS SHOWN	Drawn:	NM	Chk:	KT	App:	KT
Project No:	PH00886/01	Dwg. No:	1007	Rev:					PO