

- NOTES:
- DO NOT SCALE OFF DRAWING
 - DRAWINGS TO BE READ IN CONJUNCTION WITH DRAWINGS 1031 & 1042
 - DRAWING IS FOR INFORMATION PURPOSES ONLY, NOT FOR CONSTRUCTION
 - REFER TO PUBLIC REALM DRAWINGS FOR FOOTPATH AND ROAD PAVING DETAILS, WALL FINISHES AND LANDSCAPING

LEGEND

DESIGN FLOOD LEVEL:

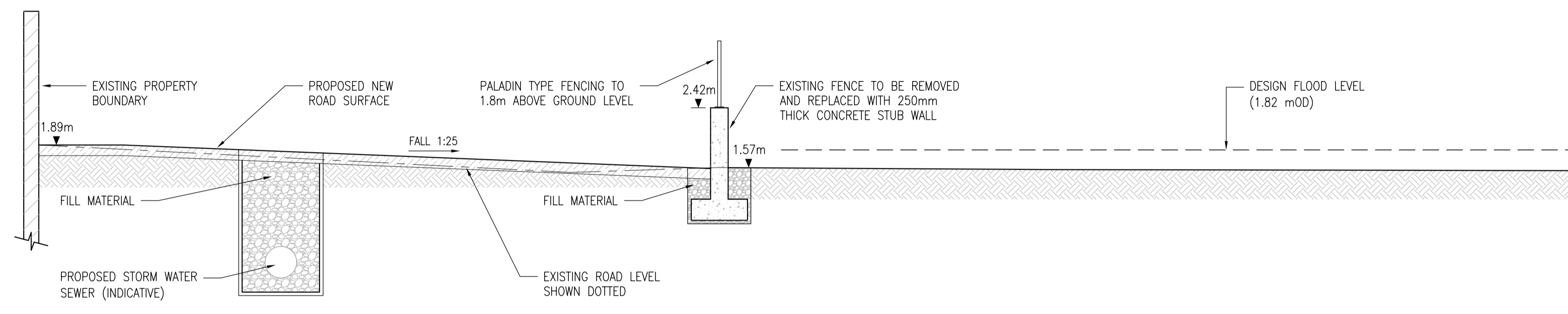
EXISTING GROUND:

EXISTING QUAY WALL:

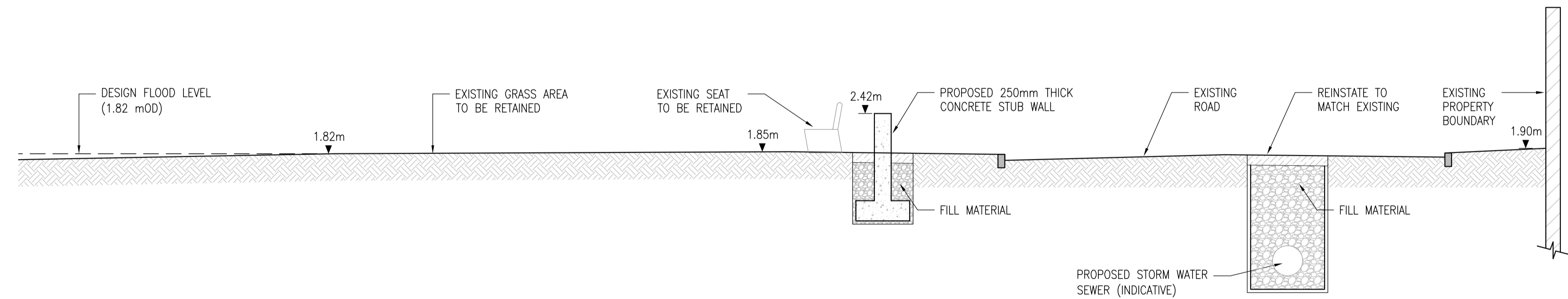
PROPOSED ROAD LAYER WORKS:

PROPOSED FILL MATERIAL:

PROPOSED PEDESTRIAN AREA:



INDICATIVE FLOOD DEFENCE
WALL SECTION V-V
(SCALE 1:50)



INDICATIVE FLOOD DEFENCE
WALL SECTION W-W
(SCALE 1:50)

Rev	Date	Description	By	Chk	App
P2	11.03.21	ISSUE FOR PLANNING	LT	KBS	KT
P1	10.02.20	ISSUE FOR INFORMATION	LT	KBS	KT

BYRNE LOOBY

2100 Cork Airport Business Park, Kinsale Road, Cork
tel: +353 (0) 21 2407985
email: cork@ByrneLooby.com www.ByrneLooby.com

BAHRAIN • IRELAND • QATAR • SAUDI ARABIA • UAE • UK
CIVIL STRUCTURAL WATER & GEOTECHNICAL SPECIALISTS

CLIENT
WICKLOW COUNTY COUNCIL

PROJECT
ARKLOW FLOOD RELIEF SCHEME

DRAWING TITLE
FLOOD DEFENCE WALLS & EMBANKMENTS
SOUTH BANK DOWNSTREAM OF ARKLOW BRIDGE
SECTIONS SHEET 4

STATUS
FOR PLANNING

Date:	04.02.20	Scale:	1/50	Drawn:	LT	Chk:	KBS	App:	KT
Project No.:	PH00886/01	Dwg. No.:	1049	Rev.:					P2