

- NOTES:
- DO NOT SCALE OFF DRAWING
 - DRAWINGS TO BE READ IN CONJUNCTION WITH DRAWINGS 1031 & 1036
 - DRAWING IS FOR INFORMATION PURPOSES ONLY, NOT FOR CONSTRUCTION
 - REFER TO PUBLIC REALM DRAWINGS FOR FOOTPATH AND ROAD PAVING DETAILS, WALL FINISHES AND LANDSCAPING

LEGEND

DESIGN FLOOD LEVEL:

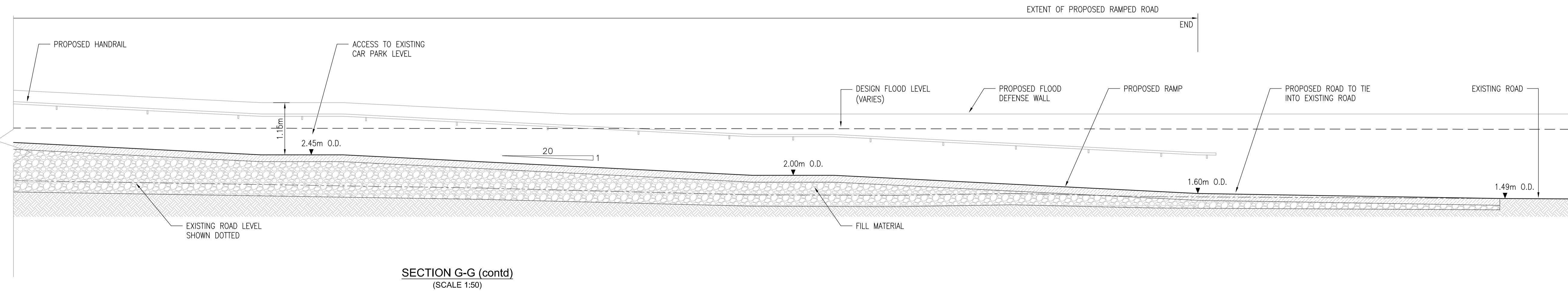
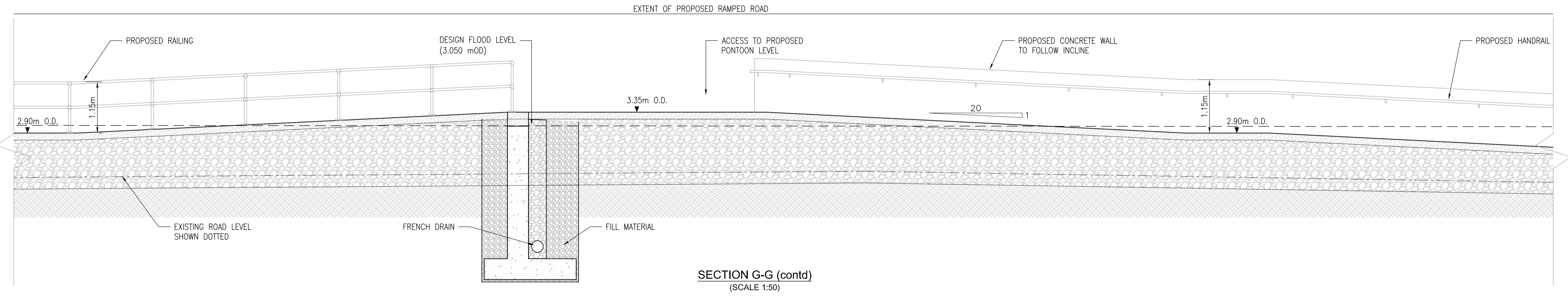
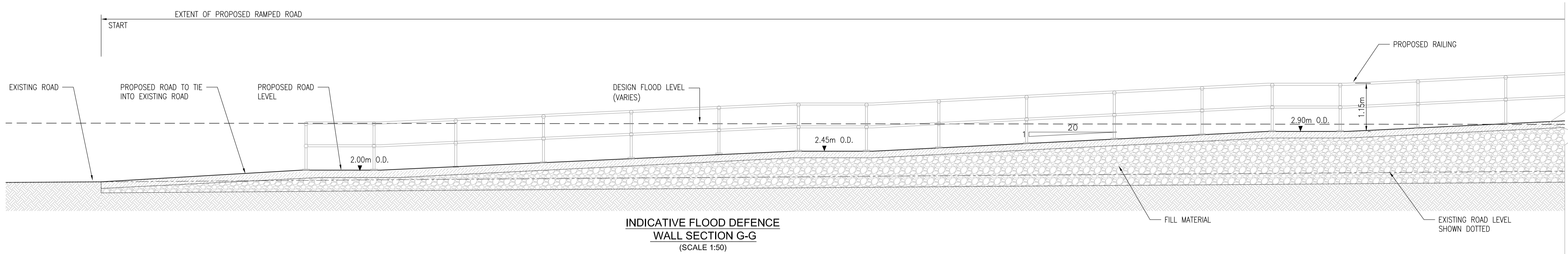
EXISTING GROUND:

EXISTING QUAY WALL:

PROPOSED ROAD LAYER WORKS:

PROPOSED FILL MATERIAL:

PROPOSED PEDESTRIAN AREA:



Rev	Date	Description	By	Chk	App
P2	11.03.21	ISSUE FOR PLANNING	LT	KBS	KT
P1	30.01.20	ISSUE FOR INFORMATION	LT	KBS	KT

BYRNE LOOBY

2100 Cork Airport Business Park, Kinsale Road, Cork
 tel: +353 (0) 21 2407988
 email: cork@ByrneLooby.com www.ByrneLooby.com

BAHRAIN • IRELAND • QATAR • SAUDI ARABIA • UAE • UK
 CIVIL STRUCTURAL WATER & GEOTECHNICAL SPECIALISTS

CLIENT
WICKLOW COUNTY COUNCIL

PROJECT
ARKLOW FLOOD RELIEF SCHEME

DRAWING TITLE
**FLOOD DEFENCE WALLS & EMBANKMENTS
 SOUTH BANK UPSTREAM OF ARKLOW BRIDGE
 SECTIONS – SHEET 1**

STATUS
FOR PLANNING

Date:	30.01.20	Scale:	1:50	Drawn:	LT	Chk:	KBS	App:	KT
Project No.:	PH00886/01	Drw. No.:	1038	Rev.:					P2