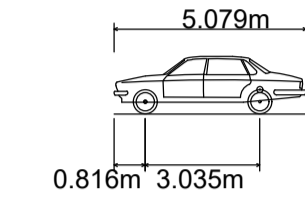


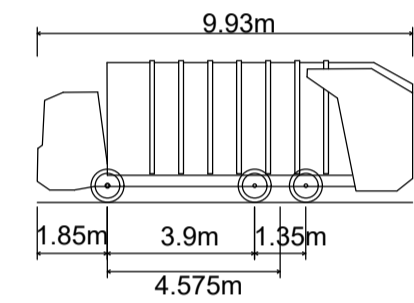
**P&R COACH (VDL-FHD2-148)**  
 OVERALL LENGTH 14.845m  
 OVERALL WIDTH 2.550m  
 OVERALL BODY HEIGHT 3.700m  
 MIN BODY GROUND CLEARANCE 0.397m  
 TRACK WIDTH 2.500m  
 LOCK-TO-LOCK TIME 5.00s  
 CURB TO CURB TURNING RADIUS 12.500m



**LARGE CAR (2006)**  
 OVERALL LENGTH 5.079m  
 OVERALL WIDTH 1.872m  
 OVERALL BODY HEIGHT 1.525m  
 MIN BODY GROUND CLEARANCE 0.310m  
 MAX TRACK WIDTH 1.831m  
 LOCK-TO-LOCK TIME 4.00s  
 CURB TO CURB TURNING RADIUS 5.900m

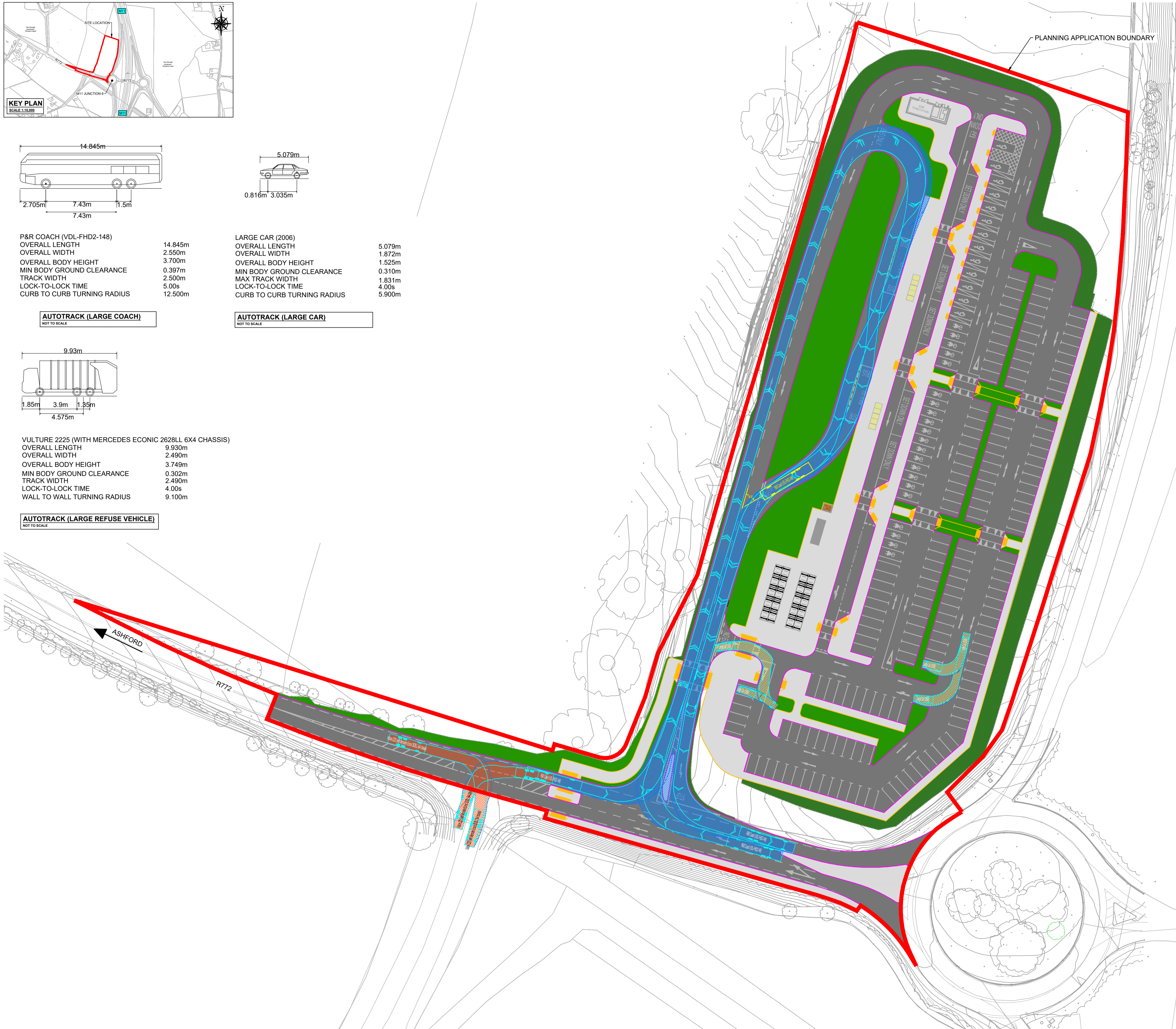
**AUTOTRACK (LARGE COACH)**  
 NOT TO SCALE

**AUTOTRACK (LARGE CAR)**  
 NOT TO SCALE



**VULTURE 2225 (WITH MERCEDES ECONIC 2628LL 6X4 CHASSIS)**  
 OVERALL LENGTH 9.930m  
 OVERALL WIDTH 2.490m  
 OVERALL BODY HEIGHT 3.749m  
 MIN BODY GROUND CLEARANCE 0.302m  
 TRACK WIDTH 2.490m  
 LOCK-TO-LOCK TIME 4.00s  
 WALL TO WALL TURNING RADIUS 9.100m

**AUTOTRACK (LARGE REFUSE VEHICLE)**  
 NOT TO SCALE



DRAWING IS PRODUCED USING THE IRISH TRANSVERSE MERCATOR (ITM) GEOGRAPHIC COORDINATE SYSTEM

**A1**



**Tionscadal Éireann  
 Project Ireland  
 2040**



**LEGEND:**

- PLANNING APPLICATION BOUNDARY —
- PROPOSED KERBLINES —
- P&R COACH AUTOTRACK ANALYSIS
- LARGE REFUSE VEHICLE AUTOTRACK ANALYSIS
- LARGE CAR AUTOTRACK ANALYSIS

Rev	Description	SM	IR	25/10/24
P01	ISSUED FOR PLANNING	SM	IR	25/10/24

**Clifton Scannell Emerson Associates**  
 Consulting Engineers,  
 3rd Floor The Highline,  
 Bakers Point, Pottery Road,  
 Dun Laoghaire, Co. Dublin,  
 Ireland, A96 KW29  
 T: +353 1 288 5006  
 F: +353 1 283 3466  
 E: info@csea.ie  
 W: www.csea.ie

**WICKLOW COUNTY COUNCIL**  
 Client  
**ASHFORD**  
 Project  
**PARK AND RIDE FACILITY**  
**AUTOTRACK ANALYSIS (LARGE COACH)**  
 Dwg. Title

Drawn By **SM** Date **OCT 2024** **20\_008L**  
 Checked By **IR** Scale **1:500 @ A1** CSEA Job No.

Project Code Originator Zone/Phase Level Type Role Dwg No.  
**20\_008L - CSE - GEN - XX - DR - C - 3910**

**S02** PART XIII APPROVAL  
 Status Code Suitability Description

**P01** PLANNING  
 Revision Project Status