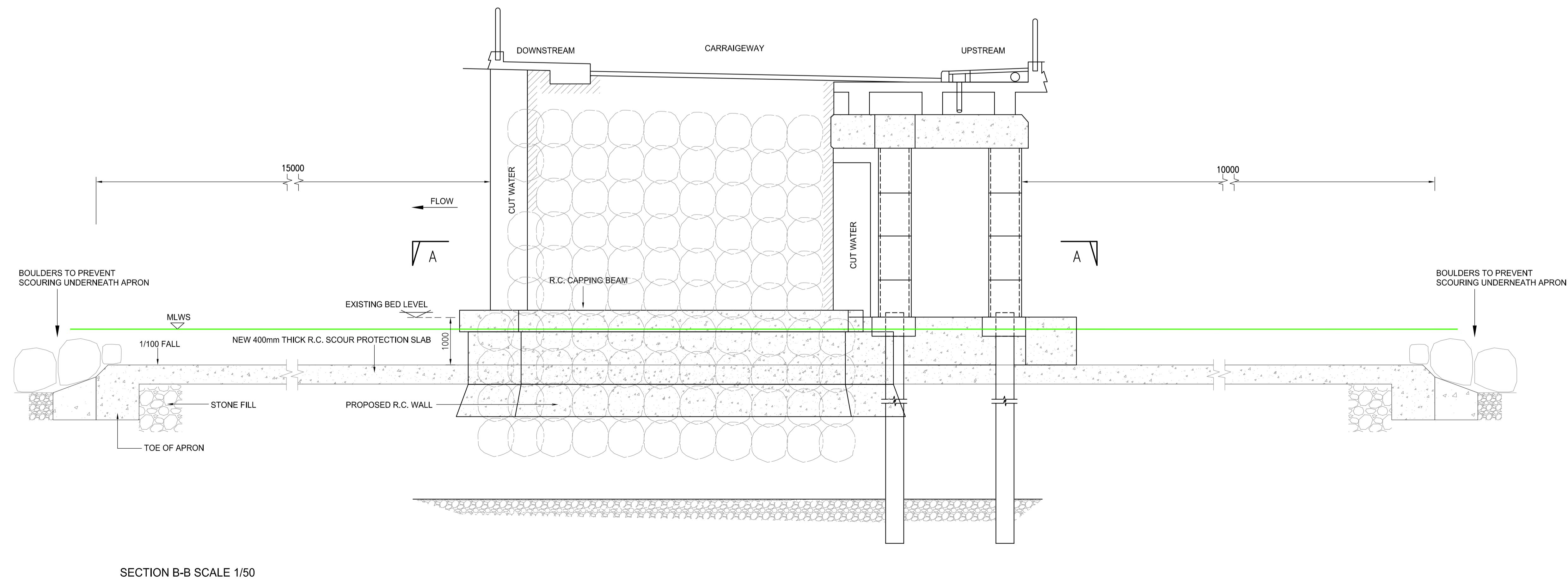
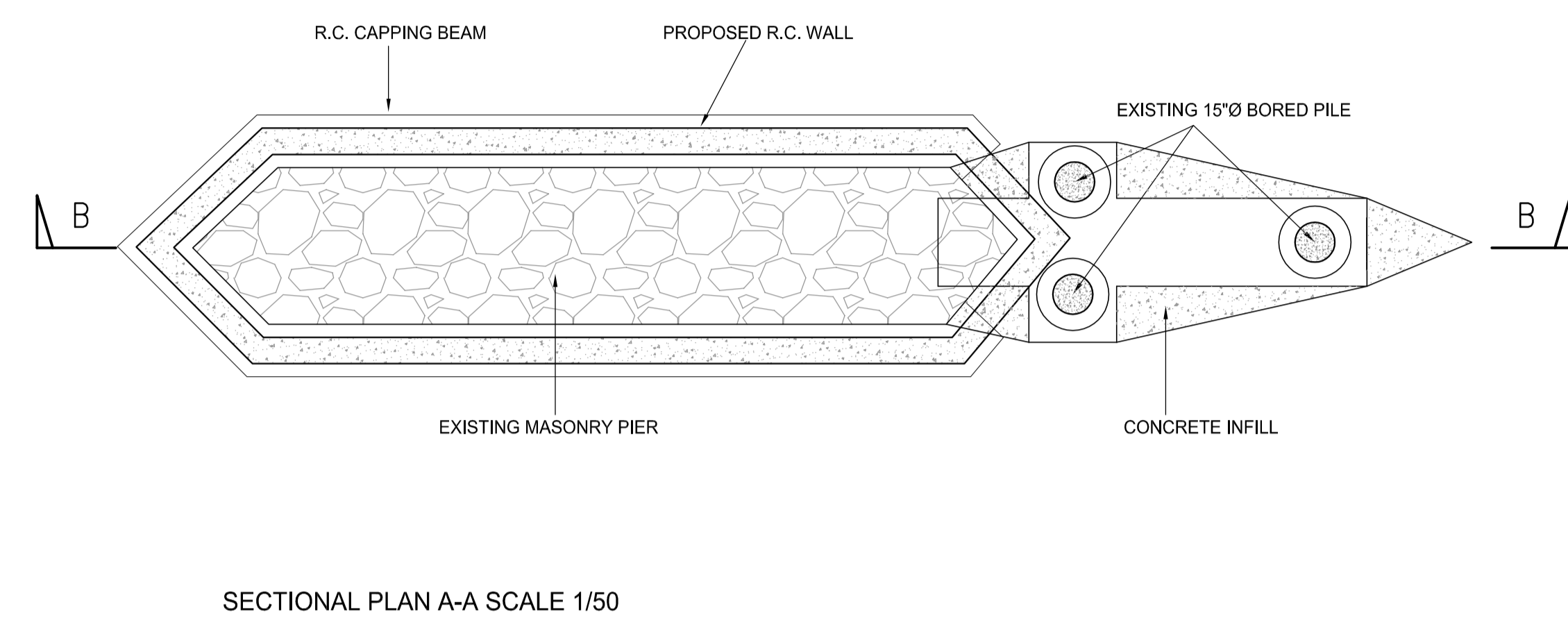
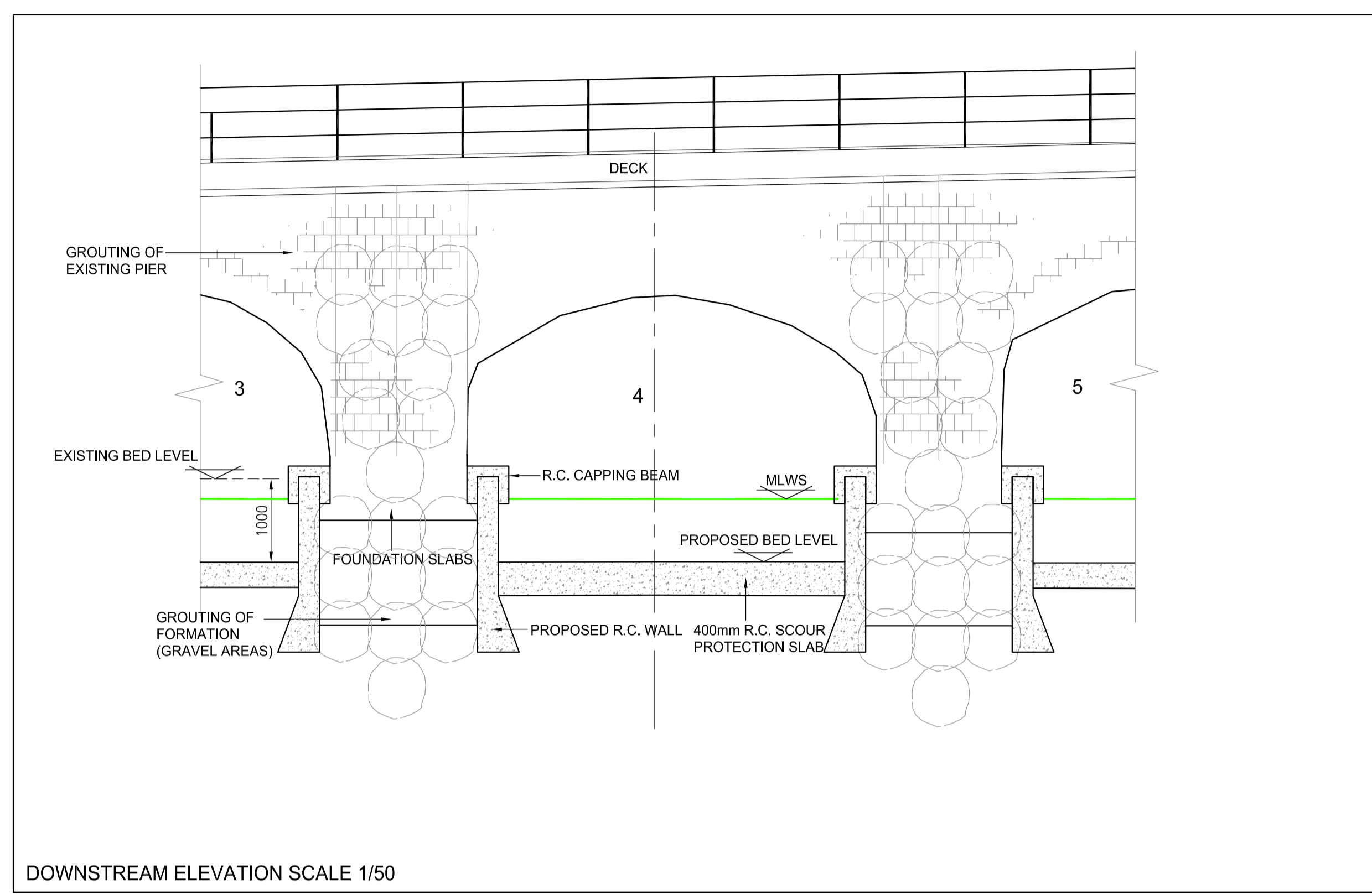


- NOTES:
- DO NOT SCALE OFF DRAWING
 - DRAWING TO BE READ IN CONJUNCTION WITH ALL OTHER DRAWINGS
 - DRAWING IS FOR INFORMATION PURPOSES ONLY, NOT FOR CONSTRUCTION



Rev	Date	Description	By	Chk	App
PO	11.03.21	ISSUED FOR PLANNING	LT	KBS	KT

BYRNE LOOBY
 2100 Cork Airport Business Park, Kinsale Road, Cork
 tel: +353 (0) 21 2407985
 email: cork@ByrneLooby.com www.ByrneLooby.com
 BAHRAIN • IRELAND • QATAR • SAUDI ARABIA • UAE • UK
 CIVIL STRUCTURAL WATER & GEOTECHNICAL SPECIALISTS

CLIENT
 WICKLOW COUNTY COUNCIL

PROJECT
 ARKLOW FLOOD RELIEF SCHEME

DRAWING TITLE
 ARKLOW BRIDGE
 UNDERPINNING OPTION 4

STATUS
 FOR PLANNING

Date: 26.08.20	Scale: AS SHOWN	Drawn: LT	Chk: KBS	App: KT
Project No: PH00886/01	Dwg. No: 1010	Rev:	PO	