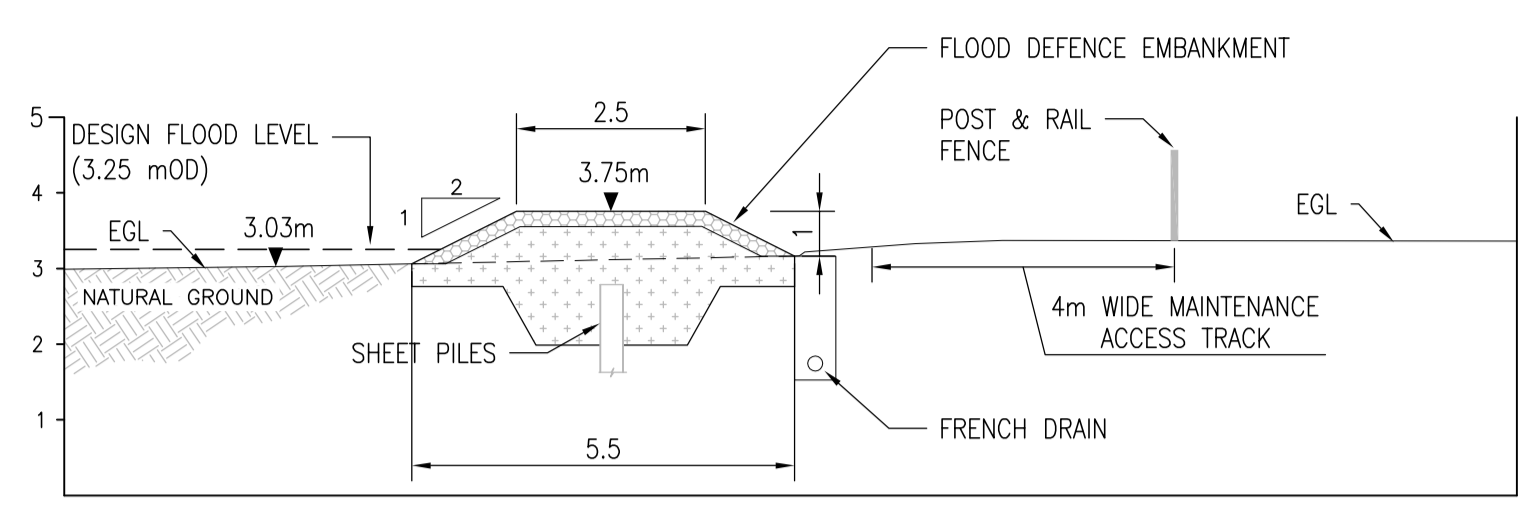


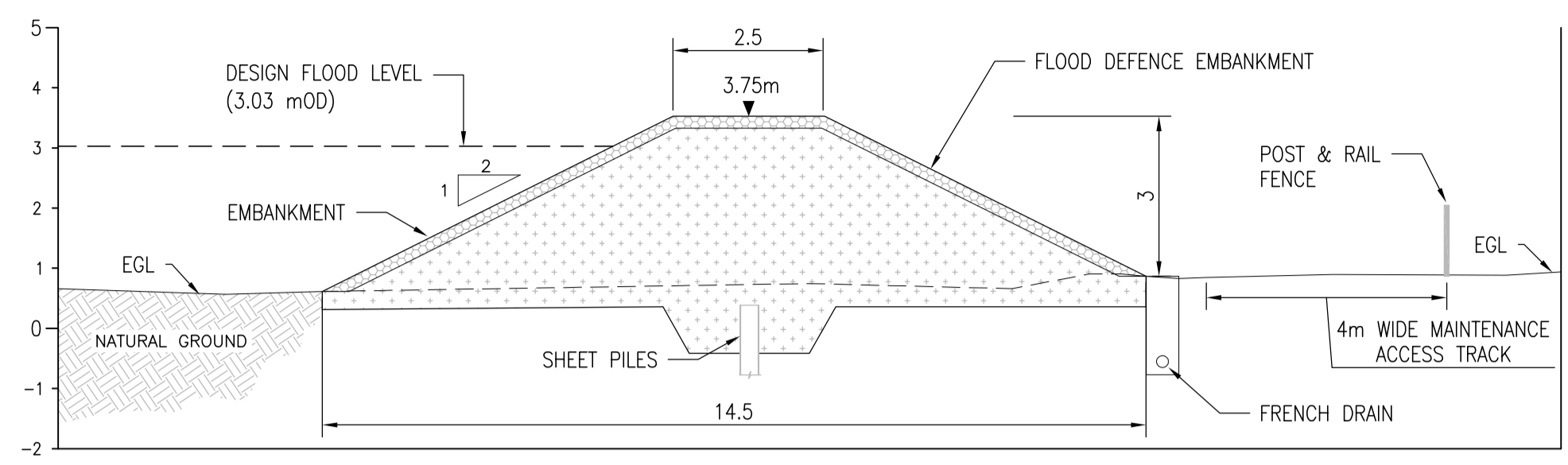
- NOTES:
- DO NOT SCALE OFF DRAWING
 - DRAWINGS TO BE READ IN CONJUNCTION WITH DRAWINGS 1031 - 1034
 - DRAWING IS FOR INFORMATION PURPOSES ONLY, NOT FOR CONSTRUCTION
 - REFER TO PUBLIC REALM DRAWINGS FOR FOOTPATH AND ROAD PAVING DETAILS, WALL FINISHES AND LANDSCAPING.

LEGEND

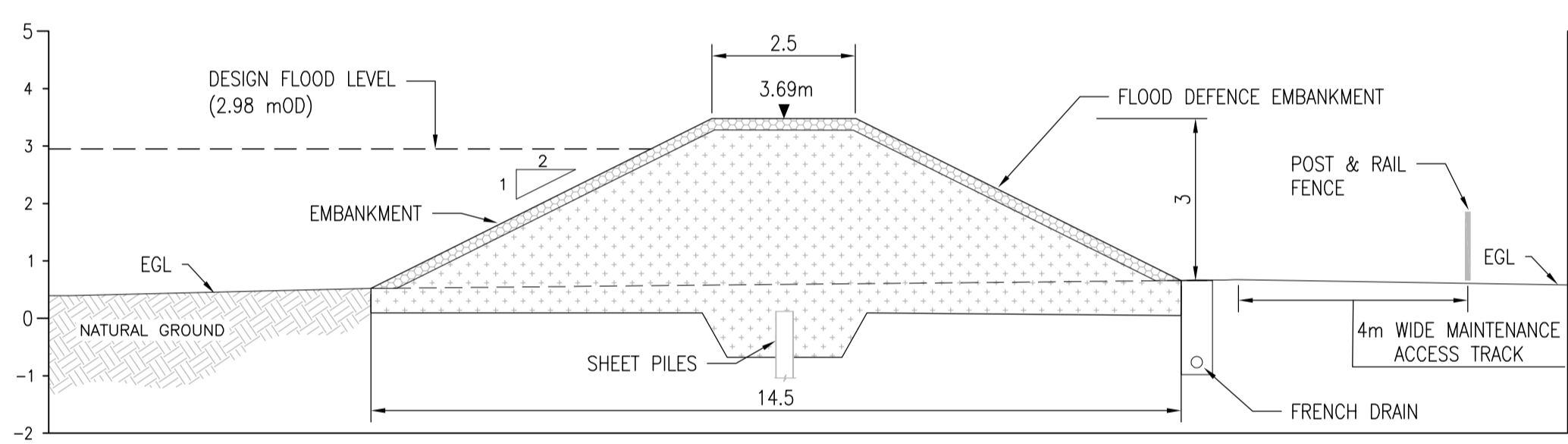
DESIGN FLOOD LEVEL:	---
EXISTING GROUND:	[Hatched pattern]
EXISTING QUAY WALL:	[Hatched pattern]
PROPOSED ROAD LAYER WORKS:	[Hatched pattern]
PROPOSED FILL MATERIAL:	[Dotted pattern]
FLOOD DEFENCE EMBANKMENT:	[Dotted pattern]
DRAINAGE CHANNEL:	[Blue fill]
RIVERBANK GRADED FILL:	[Hatched pattern]



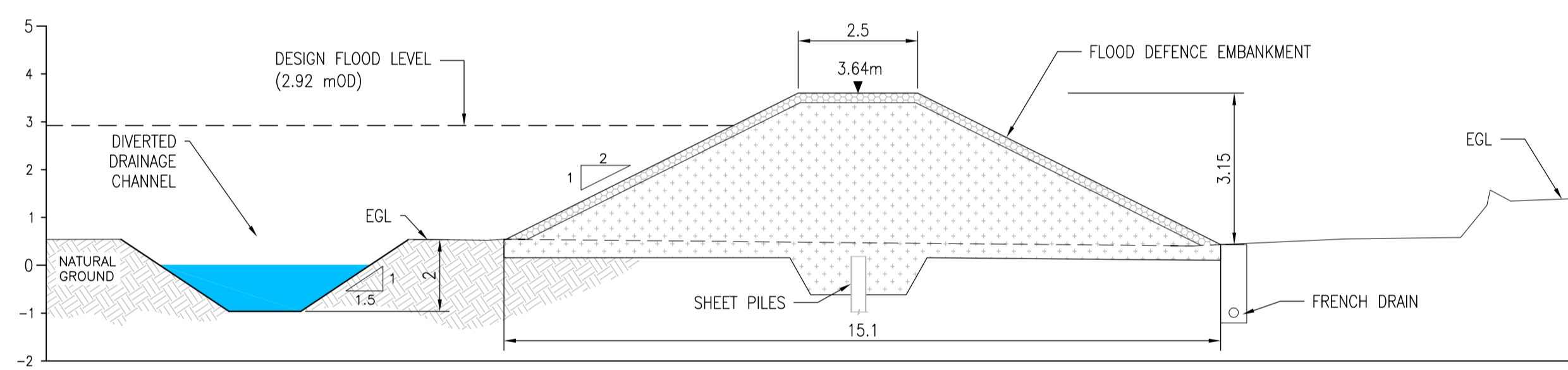
INDICATIVE FLOOD DEFENCE EMBANKMENT SECTION A-A (SCALE 1:100)



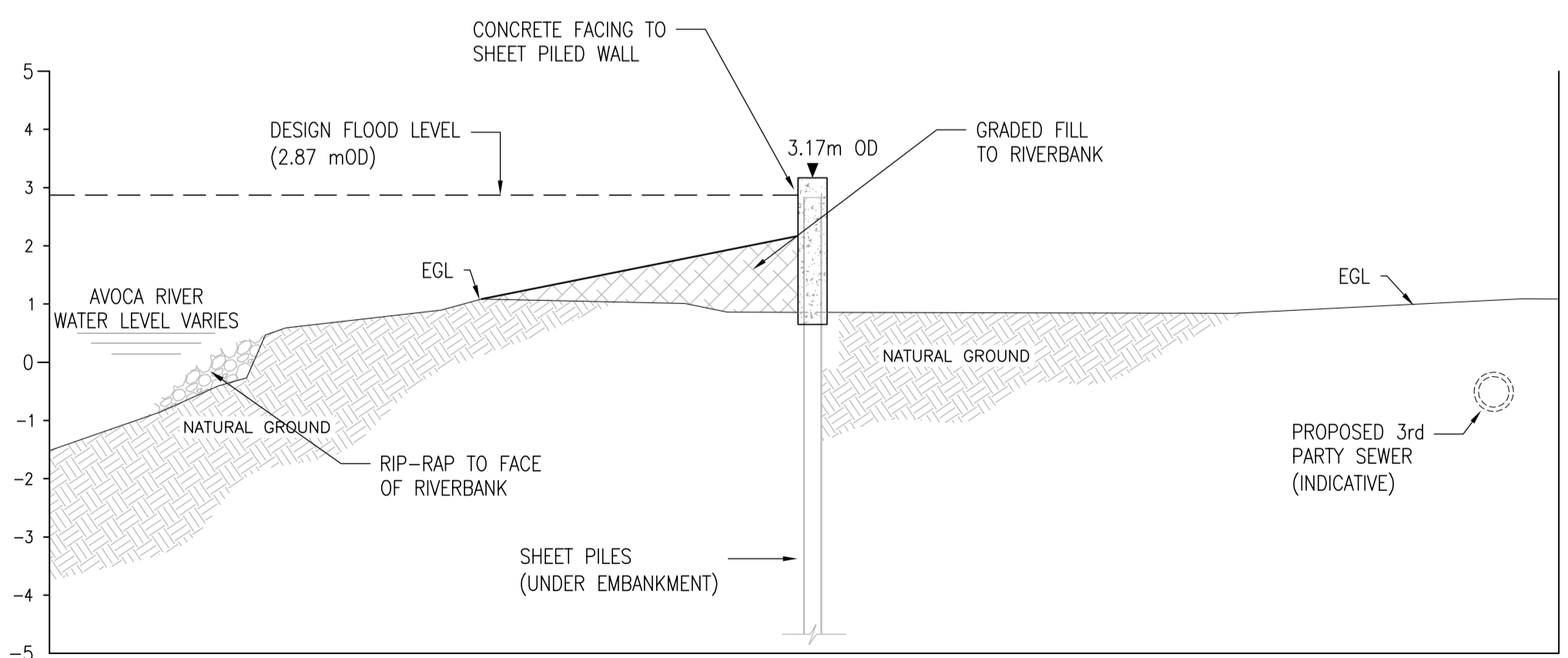
INDICATIVE FLOOD DEFENCE EMBANKMENT SECTION B-B (SCALE 1:100)



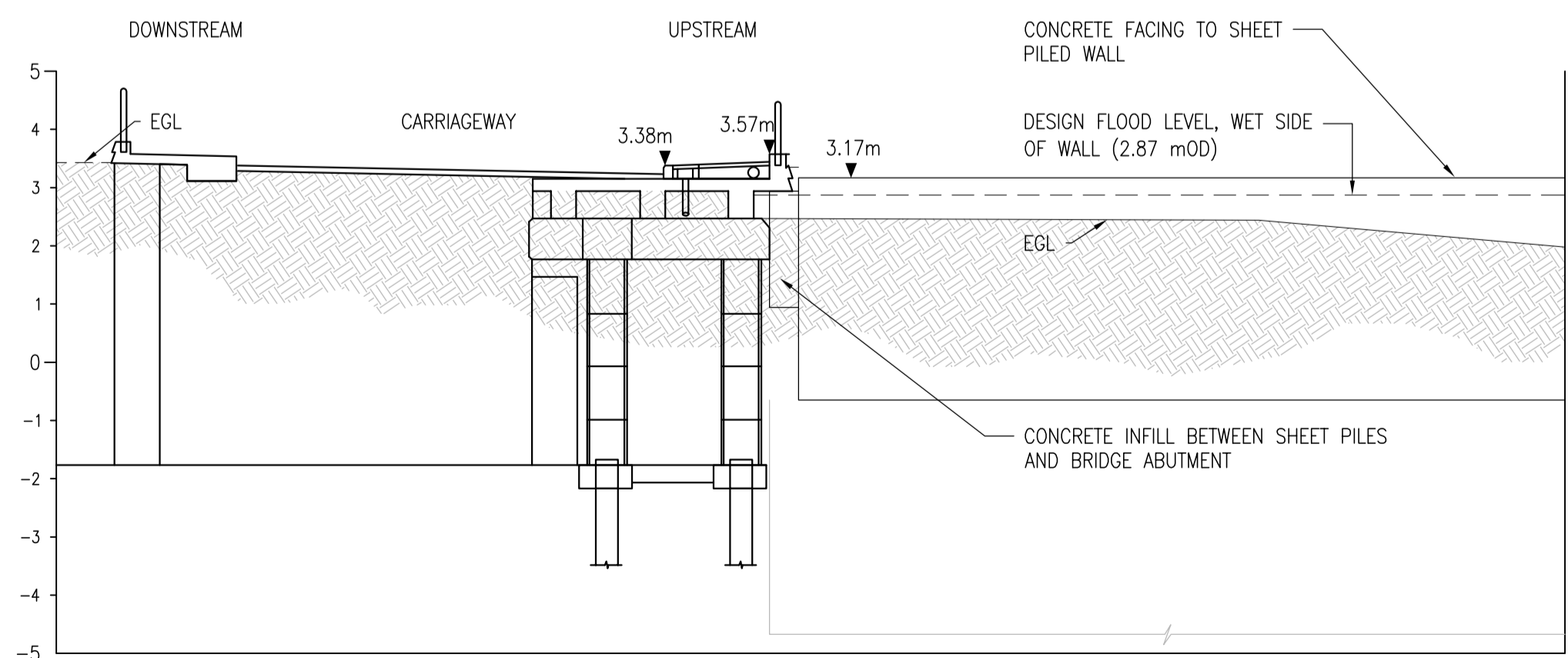
INDICATIVE FLOOD DEFENCE EMBANKMENT SECTION C-C (SCALE 1:100)



INDICATIVE FLOOD DEFENCE EMBANKMENT SECTION D-D (SCALE 1:100)



INDICATIVE FLOOD DEFENCE WALL SECTION E-E (SCALE 1:100)



INDICATIVE FLOOD DEFENCE WALL DETAIL 1 (SCALE 1:100)

Rev	Date	Description	By	Chk	App
P4	11.03.21	ISSUE FOR PLANNING	LT	KBS	KT
P3	20.10.20	ISSUE FOR INFORMATION	LT	KBS	KT
P2	10.02.20	ISSUE FOR INFORMATION	LT	KBS	KT
P1	04.07.18	ISSUE FOR INFORMATION	PM	KT	KT

BYRNE LOOBY
 2100 Cork Airport Business Park, Kinsale Road, Cork
 tel: +353 (0) 21 2407988
 email: cork@byrneLooby.com www.ByrneLooby.com
 BAHRAIN • IRELAND • QATAR • SAUDI ARABIA • UAE • UK
 CIVIL STRUCTURAL WATER & GEOTECHNICAL SPECIALISTS

CLIENT
 WICKLOW COUNTY COUNCIL

PROJECT
 ARKLOW FLOOD RELIEF SCHEME

DRAWING TITLE
 FLOOD DEFENCE WALLS & EMBANKMENTS
 NORTH BANK UPSTREAM OF ARKLOW BRIDGE
 SECTIONS

STATUS
 FOR PLANNING

Date: 30.11.16	Scale: 1:100	Drawn: PK	Chk: KT	App: KT
Project No: PH00886/01	Dwg. No: 1035	Rev: P4		