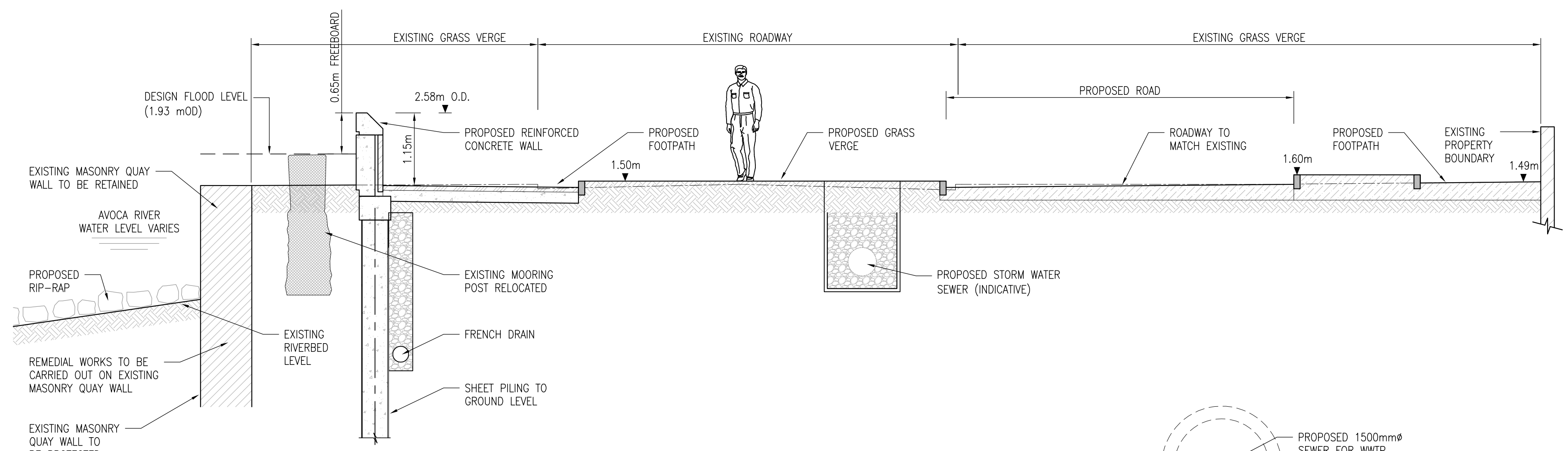
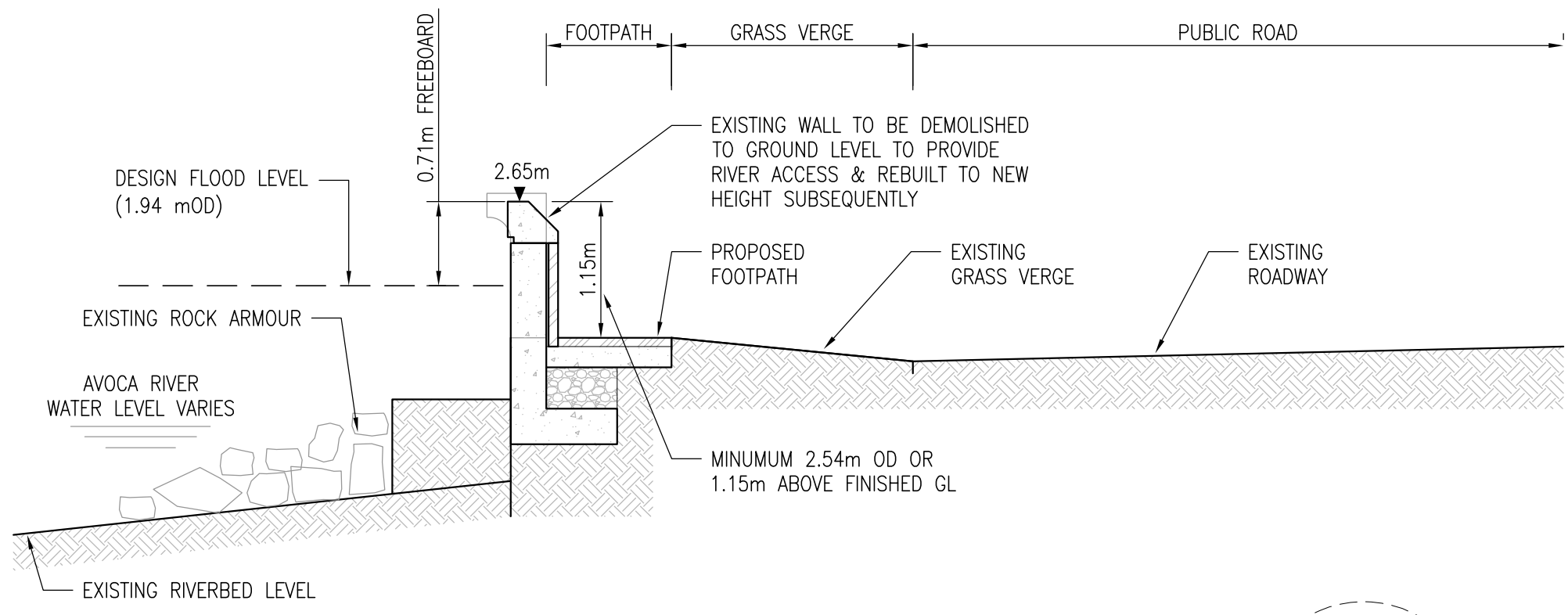


INDICATIVE FLOOD DEFENCE WALL SECTION P-P
(SCALE 1:50)



INDICATIVE FLOOD DEFENCE WALL SECTION Q-Q
(SCALE 1:50)



INDICATIVE FLOOD DEFENCE WALL SECTION R-R
(SCALE 1:50)

- NOTES:**
- DO NOT SCALE OFF DRAWING
 - DRAWINGS TO BE READ IN CONJUNCTION WITH DRAWINGS 1031, 1040 & 1041
 - DRAWING IS FOR INFORMATION PURPOSES ONLY, NOT FOR CONSTRUCTION
 - REFER TO PUBLIC REALM DRAWINGS FOR FOOTPATH AND ROAD PAVING DETAILS, WALL FINISHES AND LANDSCAPING

LEGEND

DESIGN FLOOD LEVEL:

EXISTING GROUND:

EXISTING QUAY WALL:

PROPOSED ROAD LAYER WORKS:

PROPOSED FILL MATERIAL:

PROPOSED PEDESTRIAN AREA:

Rev	Date	Description	By	Chk	App
P4	11.03.21	ISSUE FOR PLANNING	LT	KBS	KT
P3	04.11.20	ISSUE FOR INFORMATION	LT	KBS	KT
P2	10.02.20	ISSUE FOR INFORMATION	LT	KBS	KT
P1	10.09.18	ISSUE FOR INFORMATION	NM	SH	KT

BYRNE LOOBY

2100 Cork Airport Business Park, Kinsale Road, Cork
 tel: +353 (0) 21 2407985
 email: cork@ByrneLooby.com www.ByrneLooby.com

BAHRAIN • IRELAND • QATAR • SAUDI ARABIA • UAE • UK
 CIVIL STRUCTURAL WATER & GEOTECHNICAL SPECIALISTS

CLIENT
WICKLOW COUNTY COUNCIL

PROJECT
ARKLOW FLOOD RELIEF SCHEME

DRAWING TITLE
FLOOD DEFENCE WALLS & EMBANKMENTS SOUTH BANK DOWNSTREAM OF ARKLOW BRIDGE SECTIONS SHEET 2

STATUS
FOR PLANNING

Date: 19.06.18	Scale: 1/50	Drawn: NM	Chk: KT	App: KT
Project No: PH00886/01	Dwg. No: 1047	Rev: P4		