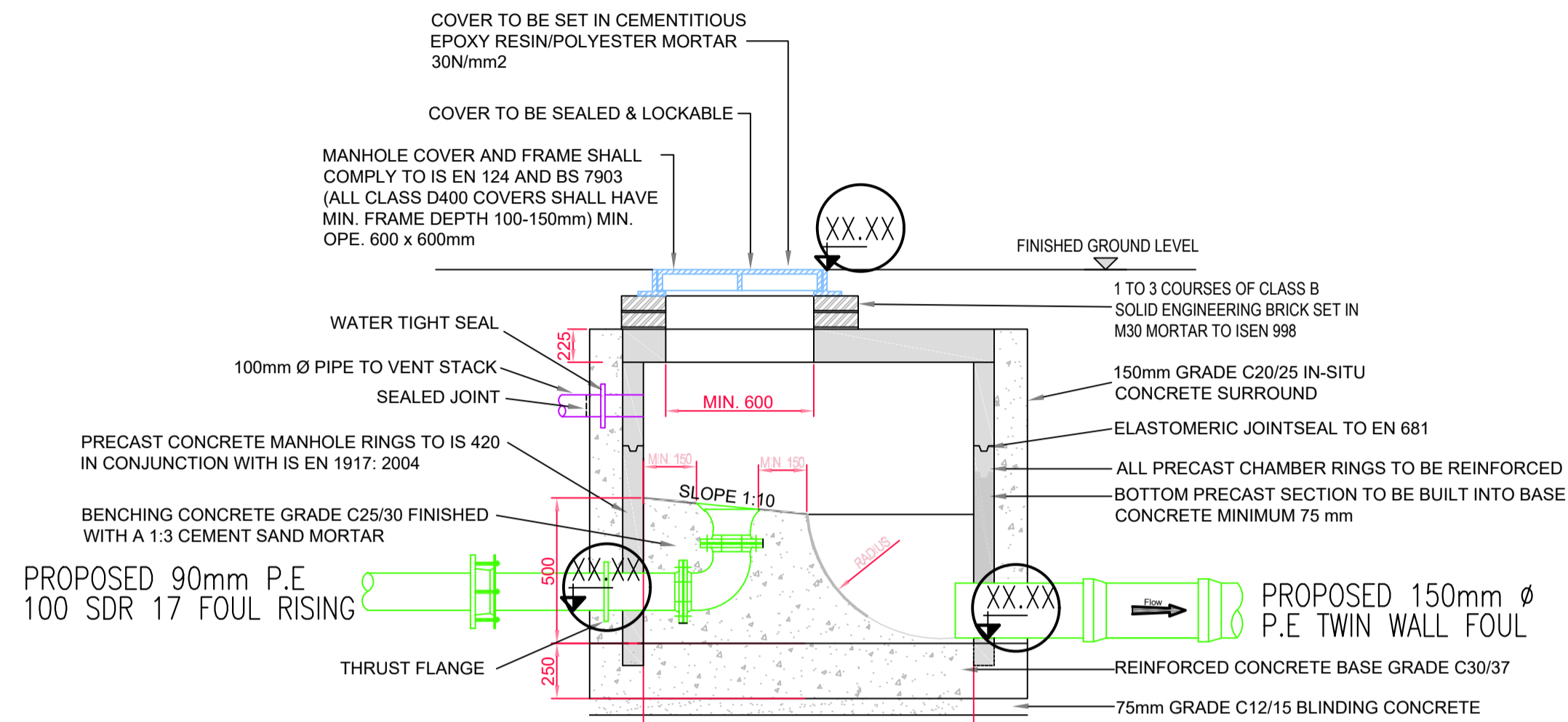


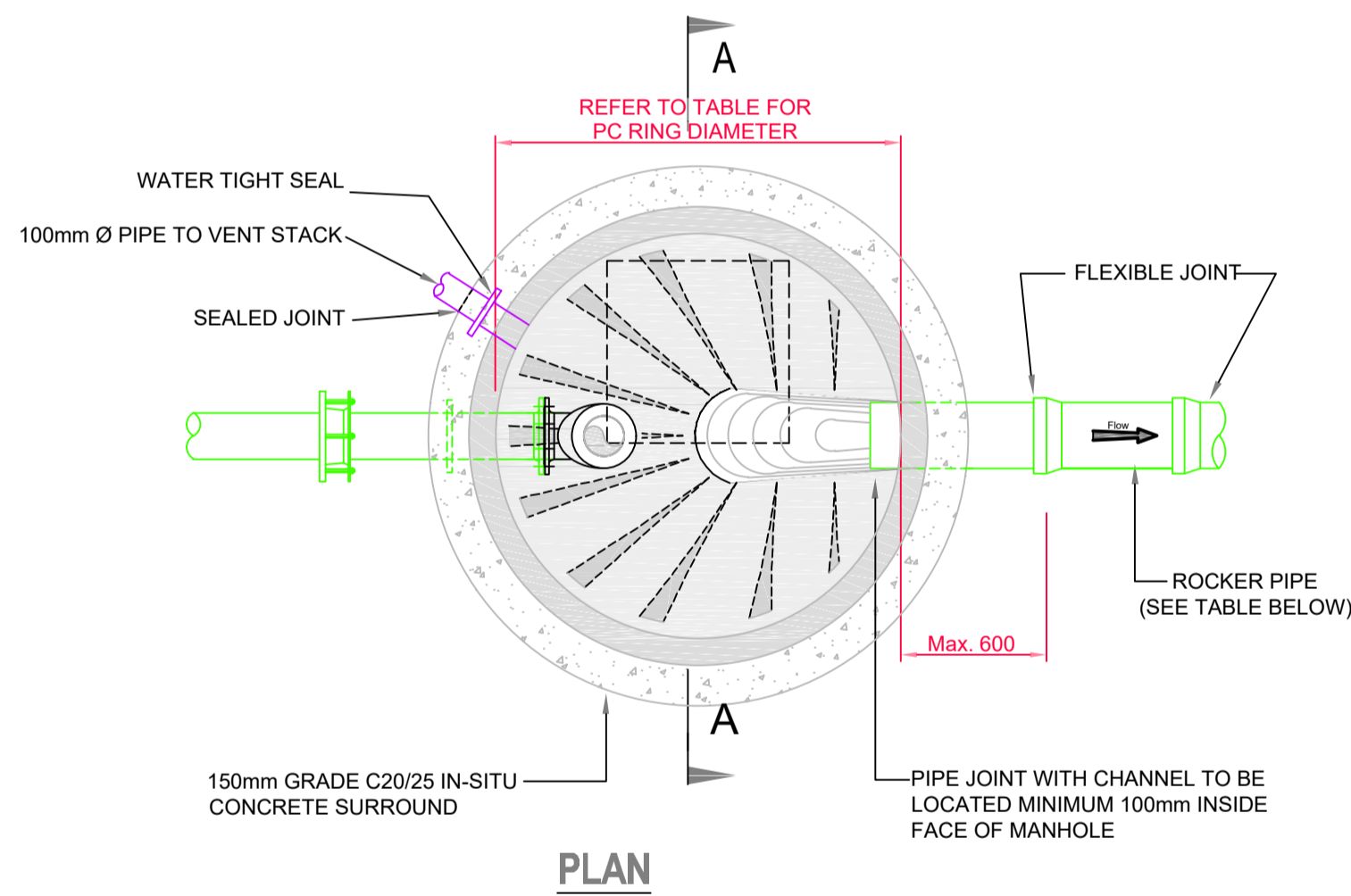
Health and Safety:
 THIS DRAWING TO BE READ IN CONJUNCTION WITH ALL OTHER RELEVANT DRAWINGS, THE SPECIFICATION AND THE SAFETY AND HEALTH PLAN.
 THE APPOINTMENT OF THE PROJECT SUPERVISOR DESIGN PROCESS IS THE CLIENT'S RESPONSIBILITY.
 TEMPORARY WORKS PROPOSALS AND/OR METHOD STATEMENTS TO BE SUBMITTED TO THE PSDP AND THE PRCS FOR WORKS WHICH INVOLVE PARTICULAR RISKS.

Notes:

- NO PART OF THIS DRAWING MAY BE REPRODUCED OR TRANSMITTED IN ANY FORM OR STORED IN ANY RETRIEVAL SYSTEM OF ANY NATURE WITHOUT THE WRITTEN PERMISSION OF MALONE O'REGAN CONSULTING ENGINEERS AS COPYRIGHT HOLDER EXCEPT AS AGREED FOR USE ON THE PROJECT FOR WHICH THE DRAWING WAS ORIGINALLY ISSUED.
- THE APPOINTMENT OF THE PROJECT SUPERVISOR DESIGN PROCESS IS THE CLIENT'S RESPONSIBILITY.
- ALL DIMENSIONS IN mm UNLESS NOTED OTHERWISE.
- THE CONTRACTOR SHALL CHECK ALL DIMENSIONS PRIOR TO COMMENCEMENT OF CONSTRUCTION. DISCREPANCIES SHALL BE REPORTED TO THIS OFFICE IN WRITING.
- THIS DRAWING TO BE READ IN ACCORDANCE WITH ALL RELEVANT ENGINEERS' DRAWINGS AND SPECIFICATIONS.



SECTION A-A



PLAN

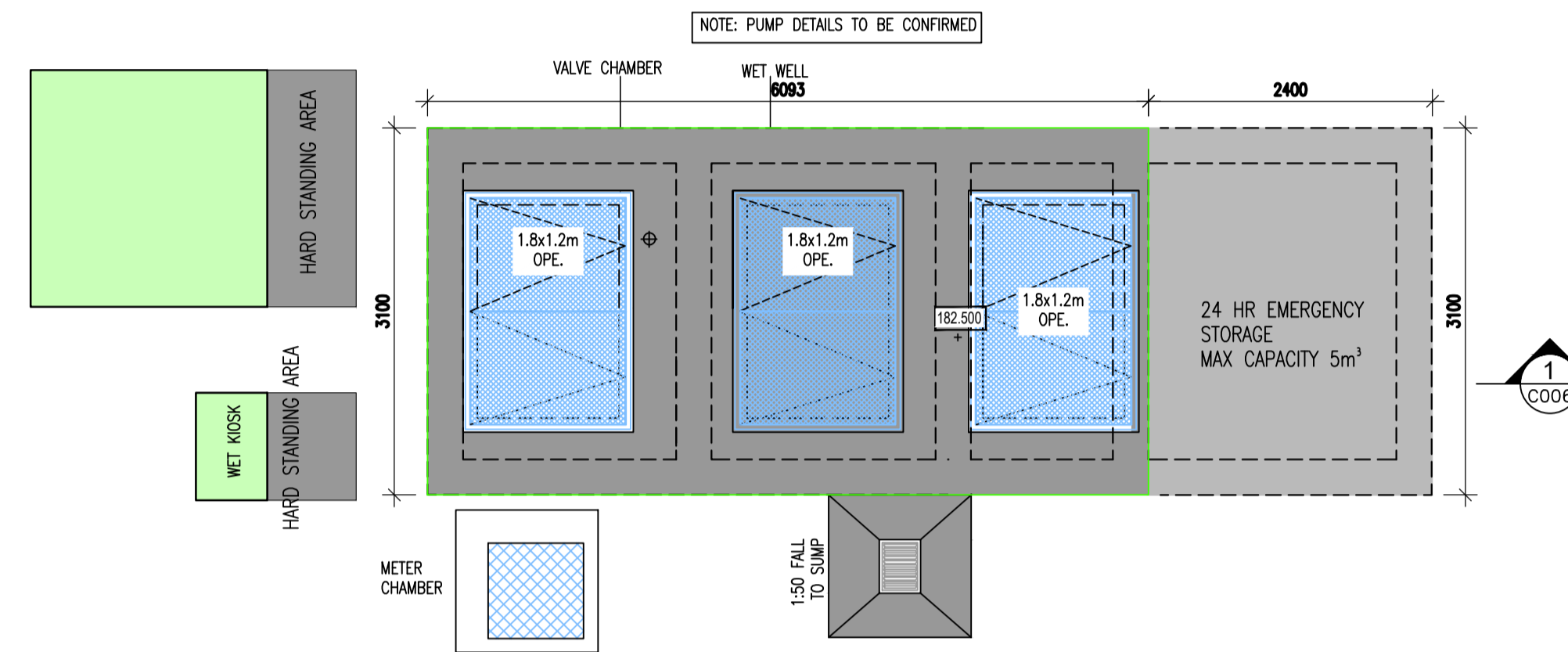
MINIMUM MANHOLE DIAMETERS	
DIAMETER OF LARGEST PIPE IN MANHOLE (mm)	INTERNAL DIAMETER OF MANHOLE (mm)
LESS THAN 150	1500

ROCKER PIPE LENGTH	
PIPE DIAMETER (mm)	ROCKER PIPE LENGTH (mm)
150 TO 600	600
GREATER THAN 600 TO 750	1000
GREATER THAN 750	1250

SEWERS GREATER THAN 450mm Ø ARE OUTSIDE THE SCOPE OF THE STANDARD DETAILS.

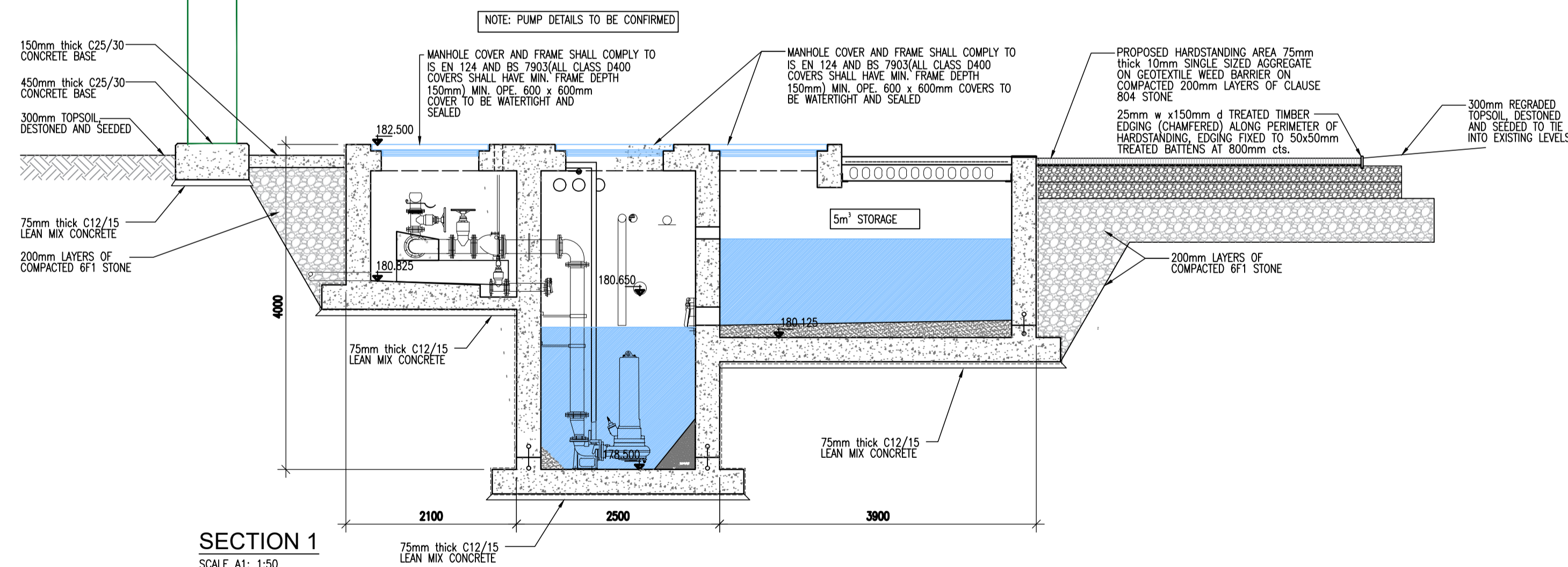
RIISING MAIN DISCHARGE STAND OFF MANHOLE DETAILS

SCALE A1: 1:25
 SCALE A3: 1:50



PLAN ON PUMPING STATION (TYPE 2)

SCALE A1: 1:50
 SCALE A3: 1:100



SECTION 1

SCALE A1: 1:50
 SCALE A3: 1:100

P	PLANNING ISSUE	14.01.2022	PC	COB	COB
Rev.	Description	Date	Drawn	Chkd	Appr

THIS DRAWING TO BE USED FOR PLANNING PURPOSES ONLY

ADR
MALONE O'REGAN
 CONSULTING ENGINEERS
 3-4 CANADA STREET
 WATERFORD
 CO. WATERFORD.
 X91 V52K
 Tel: +353 51 876 855
 Email: waterford@morco.ie
 Web: www.maloneoregan.com

Offices also in:
 DUBLIN : Tel: +353 1 260 2655 Email: dublin@morco.ie
 GALWAY: Tel: +353 91 531 069 Email: galway@morco.ie
 LONDON: Tel: +44 208 528 1685 Email: london@morco.ie

Client: WICKLOW COUNTY COUNCIL

Job: DUNLAVIN WASTEWATER TREATMENT PLANT UPGRADE, DUNLAVIN, CO. WICKLOW

Drawing: PROPOSED PUMPING STATION DETAILS

Job No	Drw No	Stage	Revision	Scale
W21077	P805	PL	P	A1 1:125 A3 1:250